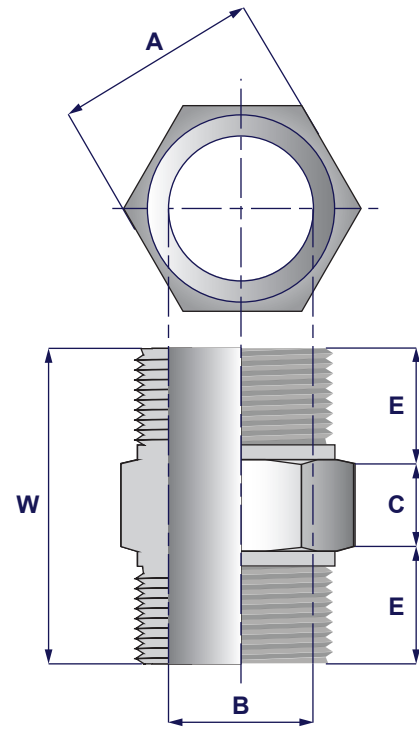


**NIPPO ESAGONALE FILETTATO
THREADED HEXAGONAL NIPPLE**



3000 lbs

SIZE	B	A	W	C	E	Peso Kg./Cad. Weight Kilos/Each
		Min.	Min.	Min.		
1/4"	8	16	36	6	15	0.030
3/8"	11	19	40	8	16	0.045
1/2"	14	22	48	8	20	0.070
3/4"	19	27	52	10	21	0.105
1"	24	35	60	10	25	0.180
1 1/4"	32	46	66	14	26	0.290
1 1/2"	38	50	68	16	26	0.355
2"	49	62	71	17	27	0.530
2 1/2"	59	76	99	19	40	1.050
3"	73.5	90	104	20	42	1.650
4"	97	118	114	22	46	2.550

6000 lbs

SIZE	B	A	W	C	E	Peso Kg./Cad. Weight Kilos/Each
		Min.	Min.	Min.	Min.	
1/4"	6	16	36	6	15	0.035
3/8"	8	19	40	8	16	0.055
1/2"	11	22	48	8	20	0.100
3/4"	13	27	52	10	21	0.160
1"	17	35	60	10	25	0.280
1 1/4"	22	46	66	14	26	0.450
1 1/2"	30	50	68	16	26	0.560
2"	39	62	71	17	27	0.870
2 1/2"	45	76	99	19	40	1.630
3"	58.5	90	104	20	42	2.600
4"	80	118	114	22	46	4.200

Note:

- Dimensioni in millimetri
- Dimensioni in accordo BS 3799
- I pesi sono indicativi

Remarks:

- Dimensions are in millimeters
- Dimensions in compliance with BS 3799
- Weights are approximate