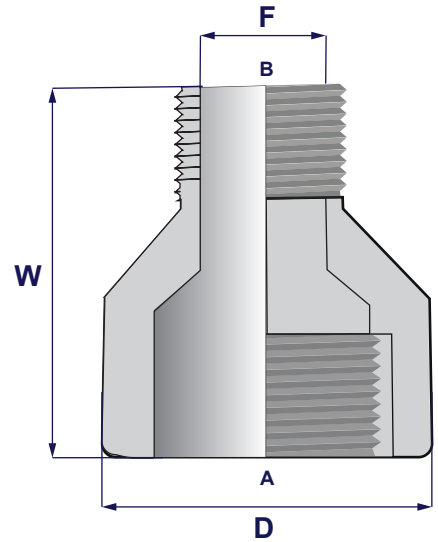


MANICOTTO F/M FILETTATA THREADED F/M COUPLING

Dimensions purely indicative, Omsa reserves the right to modify them



3000 lbs

SIZE		W	D	F	Peso Kg./Cad. Weight Kilos/Each
A	B				
3/8"	1/4"	38	22	6	0.125
1/2"	1/4"	48	28	6	0.265
	3/8"	48	28	9	0.265
3/4"	3/8"	51	35	9	0.358
	1/2"	51	35	12	0.358
1"	1/2"	60	44	12	0.720
	3/4"	60	44	16	0.720
1 1/4"	1/2"	67	57	12	1.250
	3/4"	67	57	16	1.250
	1"	67	57	21	1.250
1 1/2"	1/2"	79	64	12	1.731
	3/4"	79	64	16	1.731
	1"	79	64	21	1.731
	1 1/4"	79	64	29.5	1.731
2"	1/2"	86	76	12	2.340
	3/4"	86	76	16	2.340
	1"	86	76	21	2.340
	1 1/4"	86	76	29.5	2.340
	1 1/2"	86	76	34	2.340
2 1/2"	1/2"	92	92	12	3.590
	3/4"	92	92	16	3.590
	1"	92	92	21	3.590
	1 1/4"	92	92	29.5	3.590
	1 1/2"	92	92	34	3.590
	2"	92	92	42	3.590
3"	1/2"	108	108	12	5.460
	3/4"	108	108	16	5.460
	1"	108	108	21	5.460
	1 1/4"	108	108	29.5	5.460
	1 1/2"	108	108	34	5.460
	2"	108	108	42	5.460
4"	1/2"	121	140	12	9.360
	3/4"	121	140	16	9.360
	1"	121	140	21	9.360
	1 1/4"	121	140	29.5	9.360
	1 1/2"	121	140	34	9.360
	2"	121	140	42	9.360
	2 1/2"	121	140	54	9.360
3"	121	140	66	9.360	

6000 lbs

SIZE		W	D	F	Peso Kg./Cad. Weight Kilos/Each
A	B				
1/2"	1/4"	48	38	4	0.265
	3/8"	48	38	4.3	0.265
3/4"	3/8"	51	44	4.3	0.359
	1/2"	51	44	6.3	0.359
1"	1/2"	60	57	6.3	0.717
	3/4"	60	57	11	0.717
1 1/4"	1/2"	67	64	6.3	0.960
	3/4"	67	64	11	0.960
	1"	67	64	15.5	0.960
1 1/2"	1/2"	79	76	6.3	1.332
	3/4"	79	76	11	1.332
	1"	79	76	15.5	1.332
	1 1/4"	79	76	22	1.332
2"	1/2"	86	92	6.3	1.800
	3/4"	86	92	11	1.800
	1"	86	92	15.5	1.800
	1 1/4"	86	92	22	1.800
	1 1/2"	86	92	27	1.800
2 1/2"	1/2"	92	108	6.3	2.760
	3/4"	92	108	11	2.760
	1"	92	108	15.5	2.760

Note:

- Dimensioni in millimetri
- Dimensioni in accordo allo standard OMSA
- I pesi sono indicativi

Remarks:

- Dimensions are in millimeters
- Dimensions in compliance with OMSA's standard
- Weights are approximate