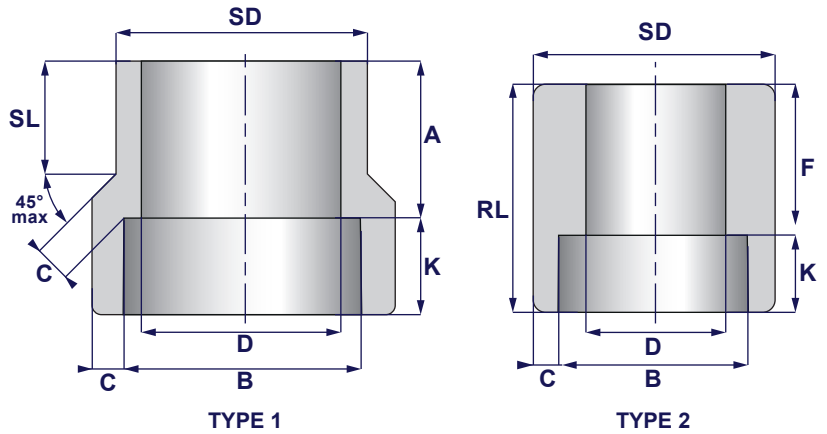
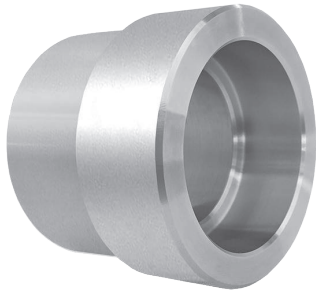


INSERTO RIDOTTO TASCA - MSS SP-79 SOCKET WELDING REDUCING INSERT - MSS SP-79



NORMAL PIPE SIZE	Type		B	K Min.	SD	A		D		C Min.		SL		RL Min.		Peso Kg./Cad. Weight Kilos/Each	
	3M	6M				3M	6M	3M	6M	3M	6M	3M	6M	3M	6M	3M	6M
3/8" x 1/4"	1	1	14.4	9.5	17.1	19.0	21.3	9.2	6.3	3.78	4.60	14.2	15.7	-	-	0.075	0.100
	1	1	14.4	9.5	21.3	20.6	20.6	9.2	6.3	3.78	4.60	15.7	15.7	-	-	0.080	0.110
1/2" x 3/8"	1	1	17.8	9.5	21.3	20.6	20.6	12.5	9.1	4.01	5.03	15.7	15.7	-	-	0.085	0.120
	2	2	14.4	9.5	26.7	17.5	22.4	9.2	6.3	3.78	4.60	-	-	26.9	32.0	0.100	0.130
3/4" x 3/8"	2	1	17.8	9.5	26.7	15.7	22.4	12.5	9.1	4.01	5.03	-	19.0	26.9	-	0.100	0.170
	1	1	22.0	9.5	26.7	22.4	25.4	15.8	11.7	4.67	5.97	17.5	19.0	-	-	0.140	0.200
1" x 1/4"	2	2	14.4	9.5	33.4	19.0	23.9	9.2	6.3	3.78	4.60	-	-	28.4	33.2	0.150	0.210
	2	2	17.8	9.5	33.4	17.5	22.4	12.5	9.1	4.01	5.03	-	-	28.4	33.2	0.150	0.210
1" x 3/8"	2	1	22.0	9.5	33.4	15.7	28.4	15.8	11.7	4.67	5.97	-	20.6	28.4	-	0.165	0.290
	1	1	27.4	12.5	33.4	23.9	28.4	20.9	15.5	4.90	6.96	19.0	20.6	-	-	0.200	0.330
1 1/4" x 1/4"	2	2	14.4	9.5	42.2	22.4	25.4	6.3	9.2	3.78	4.60	-	-	31.7	34.7	0.230	0.365
	2	2	17.8	9.5	42.2	20.6	23.9	12.5	9.1	4.01	5.03	-	-	31.7	34.7	0.230	0.365
1 1/4" x 1/2"	2	2	22.0	9.5	42.2	19.0	22.4	15.8	11.7	4.67	5.97	-	-	31.7	34.7	0.230	0.365
	2	2	27.4	12.5	42.2	17.5	20.6	20.9	15.5	4.90	6.96	-	-	31.7	34.7	0.260	0.380
1 1/4" x 3/4"	1	1	34.1	12.5	42.2	25.4	30.2	26.6	20.7	5.69	7.92	20.6	22.4	-	-	0.350	0.520
	2	2	17.8	9.5	48.2	22.4	28.4	12.5	9.1	4.01	5.03	-	-	33.2	39.6	0.370	0.490
1 1/2" x 1/2"	2	2	22.0	9.5	48.2	20.6	26.9	15.8	11.7	4.67	5.97	-	-	33.2	39.6	0.370	0.490
	2	2	27.4	12.5	48.2	19.0	25.4	20.9	15.5	4.90	6.96	-	-	33.2	39.6	0.360	0.500
1 1/2" x 1"	2	1	34.1	12.5	48.2	17.5	29.2	26.6	20.7	5.69	7.92	-	25.4	33.2	-	0.380	0.650
	1	1	42.9	12.5	48.2	28.4	35.0	35.0	29.4	6.07	7.92	22.4	25.4	-	-	0.420	0.650

TOLLERANZE - TOLLERANCE

A		B		D	
Sizes 3/8 - 3/4	+1.5/-0.00	Sizes 1/4 - 1 1/2	+0.20/-0.20	Sizes 1/4 - 2	+0.80/-0.80
Sizes 1 - 2	+2.0/-0.00	Sizes 2 - 3	+0.30/-0.20	Sizes 2 1/2 - 3	+1.5/-1.5
Sizes 2 1/4 - 4	+2.5/-0.00				
SD		SL			
Sizes 3/8 - 1 1/2	+0.25/-0.25	Sizes 3/8 - 3/4	+0.00/-1.50		
Sizes 2 - 3	+0.50/-0.50	Sizes 1 - 2	+0.00/-2.00		
Sizes 4	+0.80/-0.80	Sizes 2 1/2 - 4	+0.00/-2.50		

Note:

- Dimensioni in millimetri
- Dimensioni in accordo MSS SP 79
- I pesi sono indicativi

Remarks:

- Dimensions are in millimeters
- Dimensions in compliance with MSS SP 79
- Weights are approximate